

The following note shall apply to all drawings and associated documents:
 1. Copyright of this drawing and design is reserved by the Designer & European Wrought Iron Works Ltd.. The drawing and all associated documents are an instrument of service by the Designer & European Wrought Iron Works Ltd.. The drawing and the information contained therein may not be reproduced in whole or in part without prior written or verbal permission of the designer or European Wrought Iron Works Ltd.
 2. Drawings are not to be scaled for construction. All existing site conditions and dimensions required to perform the work are to be verified and any discrepancies are to be reported to the designer & European Wrought Iron Works Ltd.
 3. These drawings are not to be used for construction unless noted below as "Issued for Construction"
 4. All work to be carried out in conformance with the Code and Bylaws of the authorities having jurisdiction.
 5. The Designer of these plans and specifications gives no warranty or representation to any party about the constructability of the item represented by them.

CONFIDENTIAL: NOT TO BE DISCLOSED OR REPRODUCED



TITLE: Pre-cast Column

TOLERANCES INCHES UNLESS OTHERWISE NOTED
 X.XXX" ±0.005"
 X.XX" ±0.05"
 X.X" ±0.25"
 FRACTIONAL ±1/16"
 ANGULAR ±1°

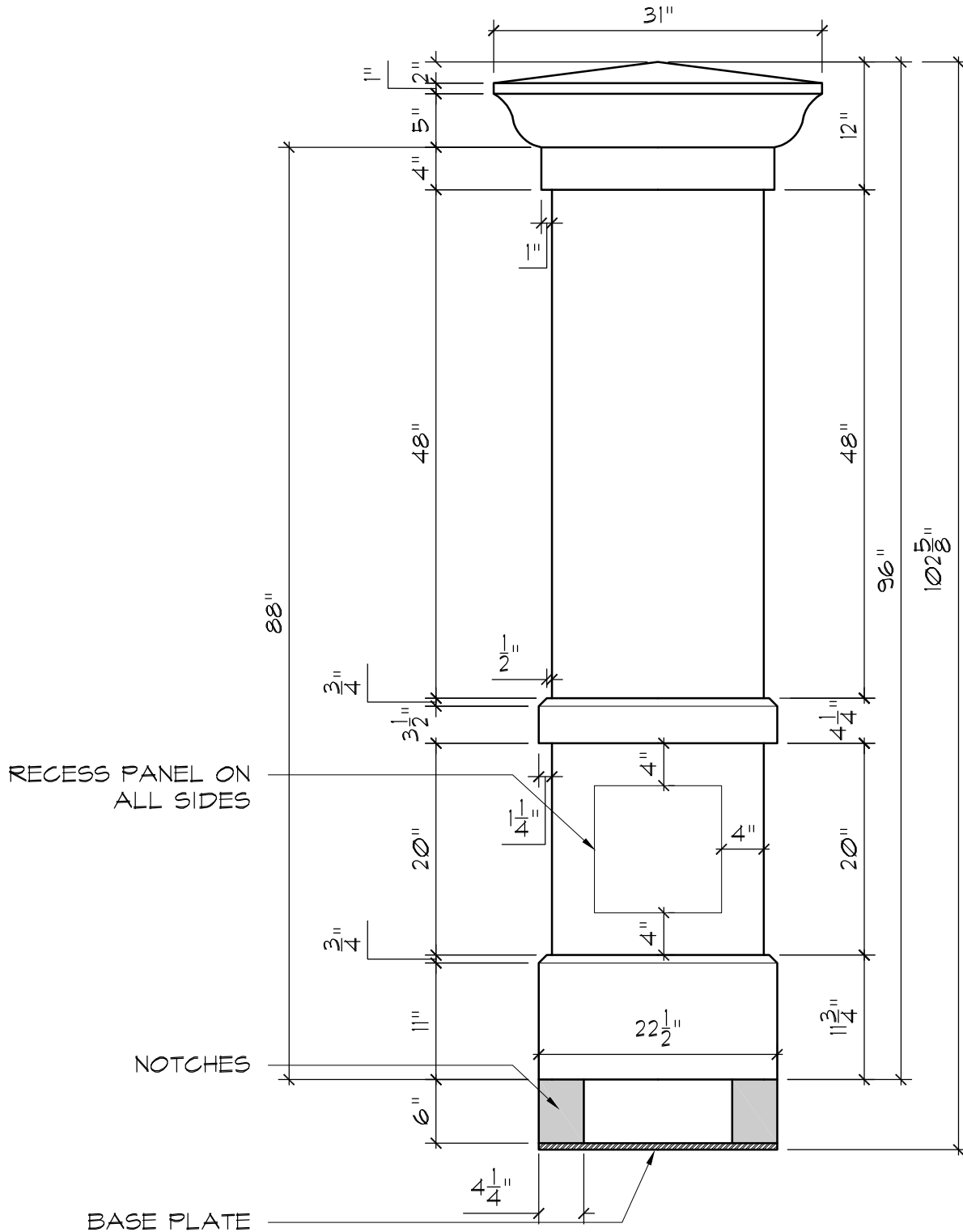
SCALE: NTS.
 DATE DRAWN: June 2009
 DRAWN BY: DCM

DO NOT MODIFY OR SCALE DRAWING

DRAWING & DESIGN REMAIN THE PROPERTY OF EUROPEAN WROUGHT IRON WORKS LTD.

PROJECT TITLE: Custom Concrete Gate Pillars - 07 Model

DESIGN: P.D.	FINISH: Custom
SHEET NO: 1	DRAWING NUMBER: EW-07
REV 1-	A



The following note shall apply to all drawings and associated documents:

- Copyright of this drawing and design is reserved by the Designer & European Wrought Iron Works Ltd. The drawing and all associated documents are an instrument of service by the Designer & European Wrought Iron Works Ltd. The drawing and the information contained therein may not be reproduced in whole or in part without prior written or verbal permission of the designer or European Wrought Iron Works Ltd.
- Drawings are not to be scaled for construction. All existing site conditions and dimensions required to perform the work are to be verified and any discrepancies are to be reported to the designer & European Wrought Iron Works Ltd.
- These drawings are not to be used for construction unless noted below as "Issued for Construction".
- All work to be carried out in conformance with the Code and Bylaws of the authorities having jurisdiction.
- The Designer of these plans and specifications gives no warranty or representation to any party about the constructability of the item represented by them.

CONFIDENTIAL: NOT TO BE DISCLOSED OR REPRODUCED

EUROPEAN
WROUGHT IRON WORKS

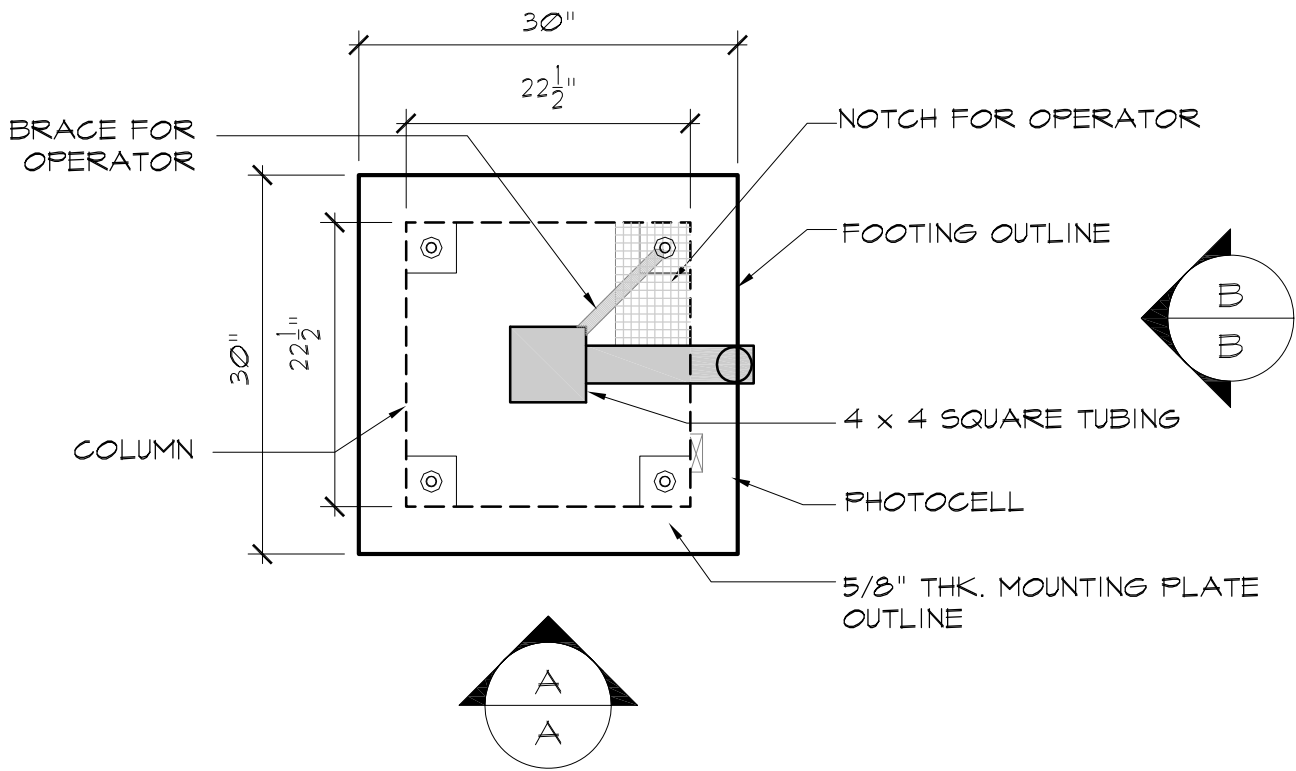
WITHOUT THE WRITTEN PERMISSION OF EUROPEAN WROUGHT IRON WORKS LTD.

TITLE: Pre-cast Column

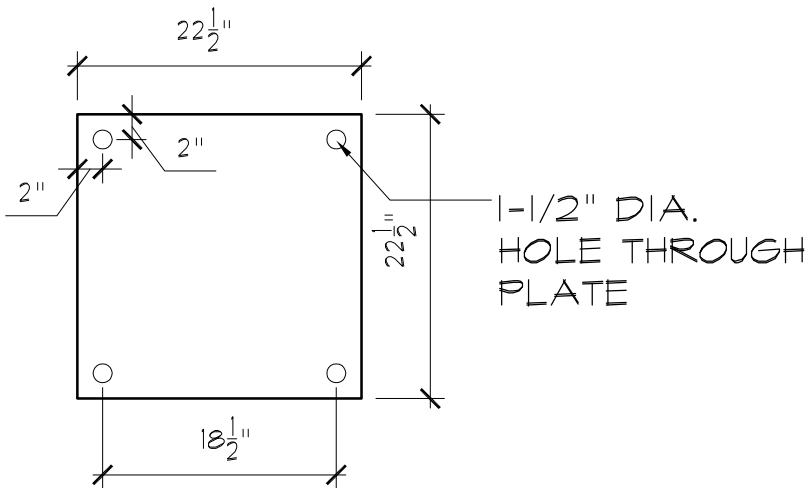
TOLERANCES IN INCHES UNLESS OTHERWISE NOTED	
X.XXX" ±0.005"	
X.XX" ±0.05"	
X.X" ±0.25"	
FRACTIONAL ±1/16"	
ANGULAR ±1°	
SCALE: NTS.	DATE DRAWN: June 2009
	DRAWN BY: DCM

DO NOT MODIFY OR SCALE DRAWING	DESIGN: P.D.
PROJECT TITLE: Custom Concrete Gate Pillars - 07 Model	SHEET NO: 2

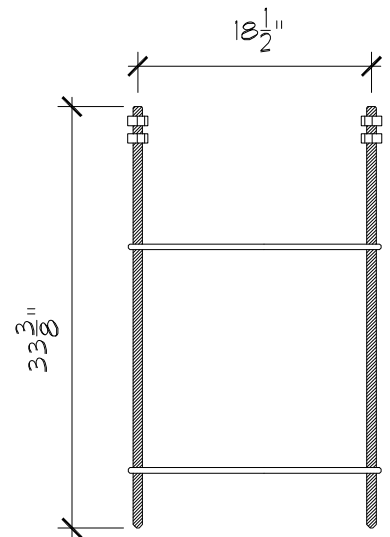
DRAWING & DESIGN REMAIN THE PROPERTY OF EUROPEAN WROUGHT IRON WORKS LTD.	
FINISH: Custom	REV: 1- A
DRAWING NUMBER: EW-07	



S-I PLAN



BASE PLATE



ANCHOR CAGE

The following note shall apply to all drawings and associated documents:

- Copyright of this drawing and design is reserved by the Designer & European Wrought Iron Works Ltd. The drawing and all associated documents are an instrument of service by the Designer & European Wrought Iron Works Ltd. The drawing and the information contained therein may not be reproduced in whole or in part without prior written or verbal permission of the designer or European Wrought Iron Works Ltd.
- Drawings are not to be scaled for construction. All existing site conditions and dimensions required to perform the work are to be verified and any discrepancies are to be reported to the designer & European Wrought Iron Works Ltd.
- These drawings are not to be used for construction unless noted below as "Issued for Construction".
- All work to be carried out in conformance with the Code and Bylaws of the authorities having jurisdiction.
- The Designer of these plans and specifications gives no warranty or representation to any party about the constructability of the item represented by them.

CONFIDENTIAL: NOT TO BE DISCLOSED OR REPRODUCED

EUROPEAN WROUGHT IRON WORKS

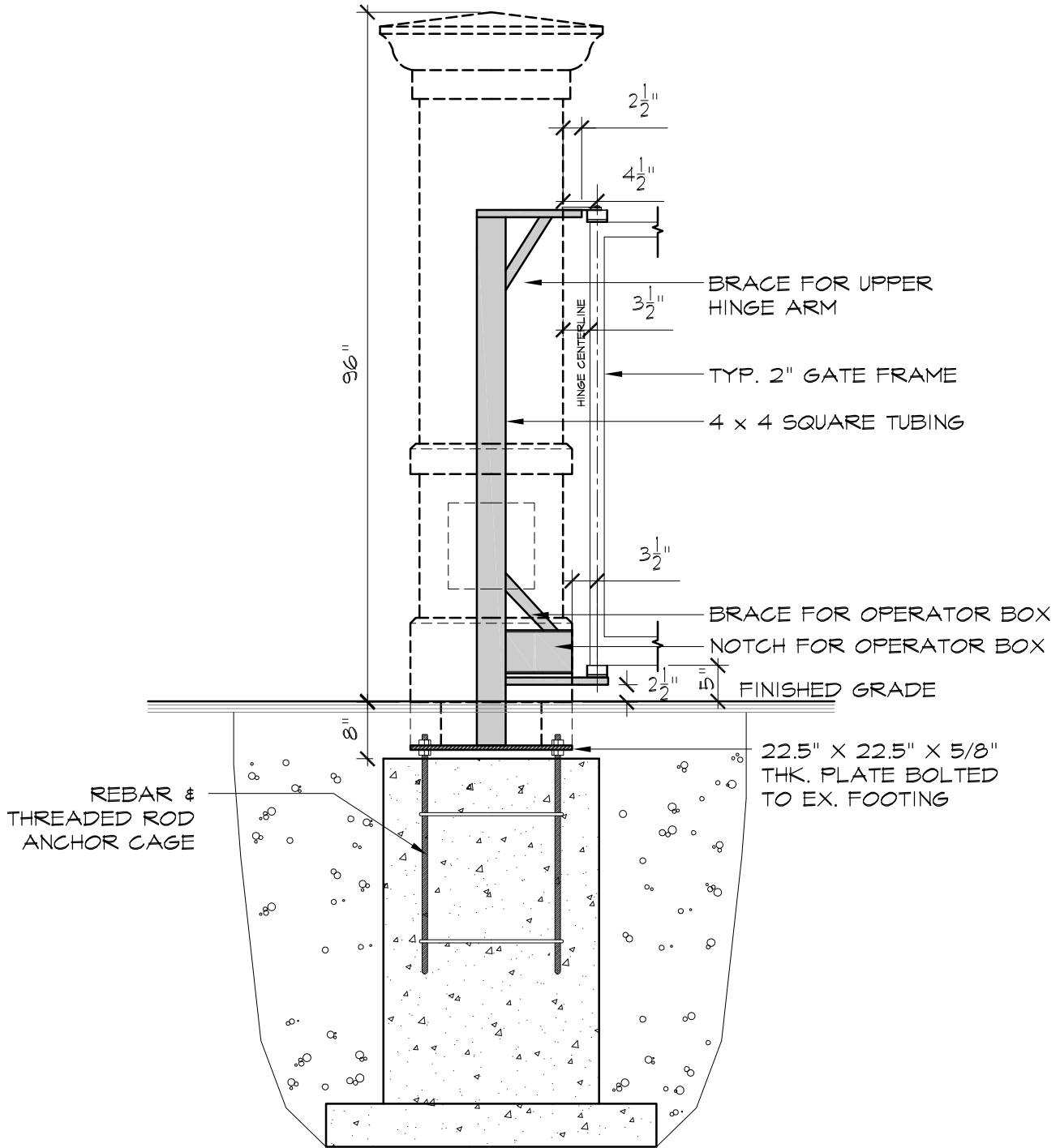
WITHOUT THE WRITTEN PERMISSION OF EUROPEAN WROUGHT IRON WORKS LTD.

TITLE: Pre-cast Column

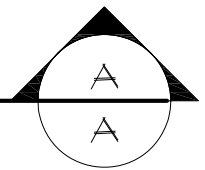
TOLERANCES INCHES UNLESS OTHERWISE NOTED	SCALE: NTS.
X.XXX" ±0.005"	DATE DRAWN: June 2009
X.XX" ±0.05"	DRAWN BY: DCM
X.X" ±0.25"	
FRACTIONAL ±1/16"	
ANGULAR ±1°	

DO NOT MODIFY OR SCALE DRAWING	DESIGN: P.D.
PROJECT TITLE: Custom Concrete Gate Pillars - 07 Model	SHEET NO: 3

DRAWING & DESIGN REMAIN THE PROPERTY OF EUROPEAN WROUGHT IRON WORKS LTD.	
FINISH: Custom	REV: 1- A
DRAWING NUMBER: EW-07	



ELEVATION



The following note shall apply to all drawings and associated documents:

- Copyright of this drawing and design is reserved by the Designer & European Wrought Iron Works Ltd. The drawing and all associated documents are an instrument of service by the Designer & European Wrought Iron Works Ltd. The drawing and the information contained therein may not be reproduced in whole or in part without prior written permission of the designer or European Wrought Iron Works Ltd.
- Drawings are not to be scaled for construction. All existing site conditions and dimensions required to perform the work are to be verified and any discrepancies are to be reported to the designer & European Wrought Iron Works Ltd.
- These drawings are not to be used for construction unless noted below as "Issued for Construction".
- All work to be carried out in conformance with the Code and Bylaws of the authorities having jurisdiction.
- The Designer of these plans and specifications gives no warranty or representation to any party about the constructability of the item represented by them.

CONFIDENTIAL: NOT TO BE DISCLOSED OR REPRODUCED

EUROPEAN WROUGHT IRON WORKS

WITHOUT THE WRITTEN PERMISSION OF EUROPEAN WROUGHT IRON WORKS LTD.

TITLE: Pre-cast Column

TOLERANCES INCHES UNLESS OTHERWISE NOTED

X.XXX" ±0.005"

X.XX" ±0.05"

X.X" ±0.25"

FRACTIONAL ±1/16"

ANGULAR ±1°

SCALE: NTS.

DATE DRAWN: June 2009

DRAWN BY: DCM

DO NOT MODIFY OR SCALE DRAWING

PROJECT TITLE: Custom Concrete Gate Pillars - 07 Model

DESIGN: P.D.

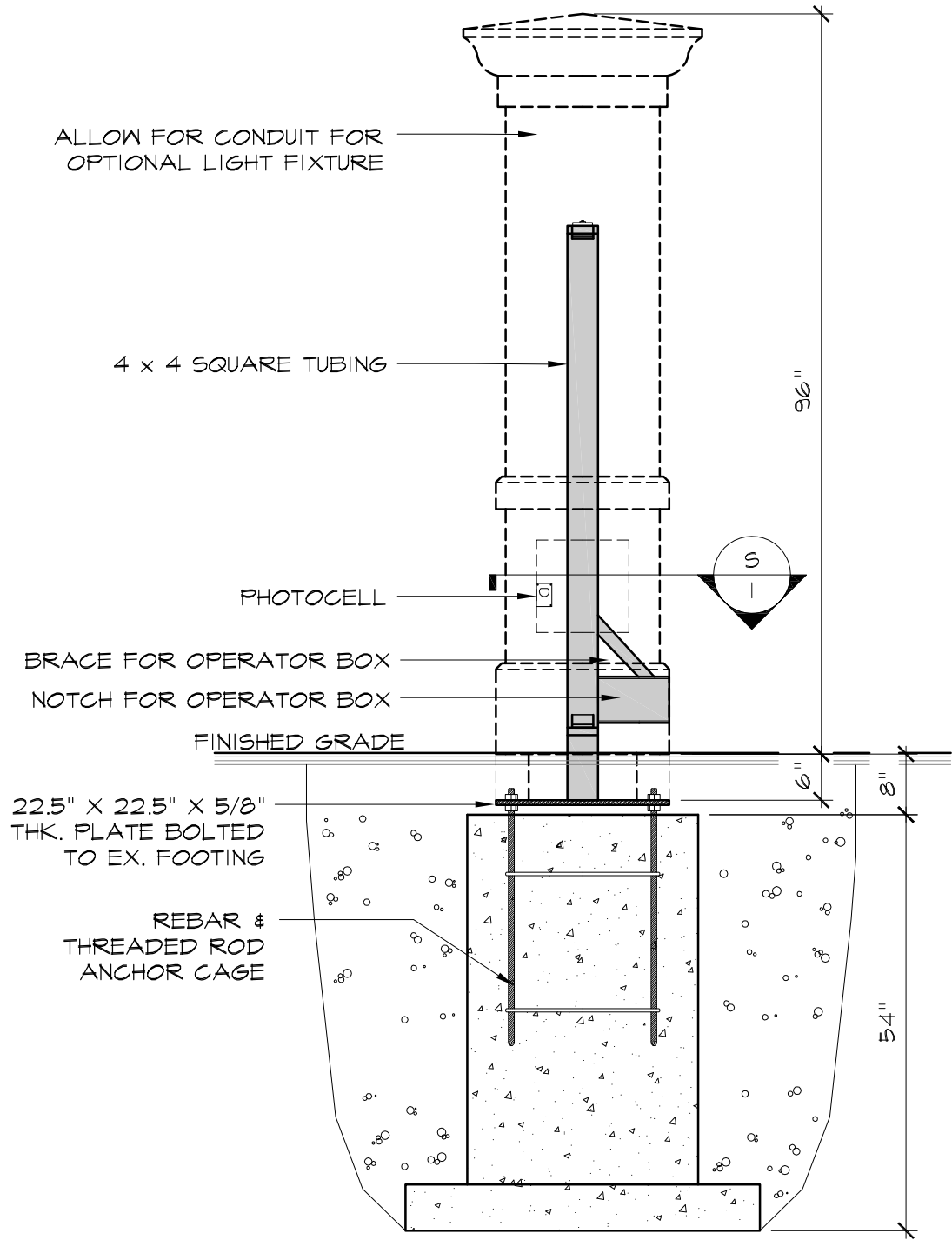
SHEET NO: 4

DRAWING & DESIGN REMAIN THE PROPERTY OF EUROPEAN WROUGHT IRON WORKS LTD.

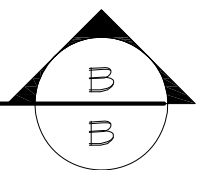
FINISH: Custom

DRAWING NUMBER: EW-07

REV: 1- A



ELEVATION



The following note shall apply to all drawings and associated documents:

- Copyright of this drawing and design is reserved by the Designer & European Wrought Iron Works Ltd. The drawing and all associated documents are an instrument of service by the Designer & European Wrought Iron Works Ltd. The drawing and the information contained therein may not be reproduced in whole or in part without prior written or verbal permission of the designer or European Wrought Iron Works Ltd.
- Drawings are not to be scaled for construction. All existing site conditions and dimensions required to perform the work are to be verified and any discrepancies are to be reported to the designer & European Wrought Iron Works Ltd.
- These drawings are not to be used for construction unless noted below as "Issued for Construction"
- All work to be carried out in conformance with the Code and Bylaws of the authorities having jurisdiction.
- The Designer of these plans and specifications gives no warranty or representation to any party about the constructability of the item represented by them.

CONFIDENTIAL: NOT TO BE DISCLOSED OR REPRODUCED

EUROPEAN
WROUGHT IRON WORKS

WITHOUT THE WRITTEN PERMISSION OF EUROPEAN WROUGHT IRON WORKS LTD.

TITLE: Pre-cast Column

TOLERANCES INCHES UNLESS OTHERWISE NOTED

X.XXX" ±0.005"

X.XX" ±0.05"

X.X" ±0.25"

FRACTIONAL ±1/16"

ANGULAR ±1°

SCALE: NTS.

DATE DRAWN: June 2009

DRAWN BY: DCM

DO NOT MODIFY OR SCALE DRAWING

PROJECT TITLE: Custom Concrete Gate Pillars - 07 Model

DESIGN: P.D.

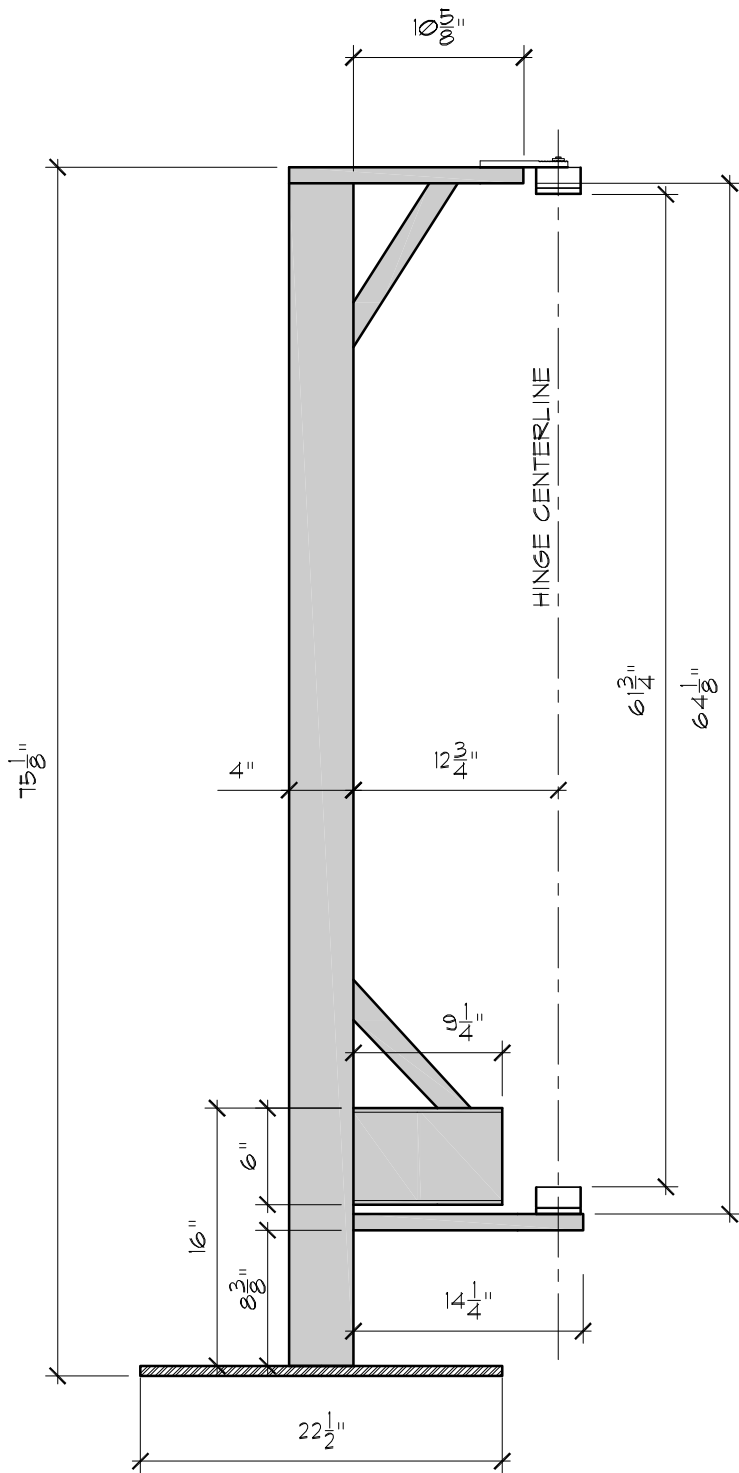
SHEET NO: 5

DRAWING & DESIGN REMAIN THE PROPERTY OF EUROPEAN WROUGHT IRON WORKS LTD.

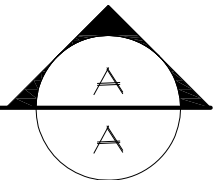
FINISH: Custom

DRAWING NUMBER: EW-07

REV	1-	A
-----	----	---



METALWORK



The following note shall apply to all drawings and associated documents:
 1. Copyright of this drawing and design is reserved by the Designer & European Wrought Iron Works Ltd. The drawing and all associated documents are an instrument of service by the Designer & European Wrought Iron Works Ltd. The drawing and the information contained therein may not be reproduced in whole or in part without prior written consent of the designer or European Wrought Iron Works Ltd.
 2. Drawings are not to be scaled for construction. All existing site conditions and dimensions required to perform the work are to be verified and any discrepancies are to be reported to the designer & European Wrought Iron Works Ltd.
 3. These drawings are not to be used for construction unless noted below as "Issued for Construction".
 4. All work to be carried out in conformance with the Code and Bylaws of the authorities having jurisdiction.
 5. The Designer of these plans and specifications gives no warranty or representation to any party about the constructability of the item represented by them.

CONFIDENTIAL: NOT TO BE DISCLOSED OR REPRODUCED

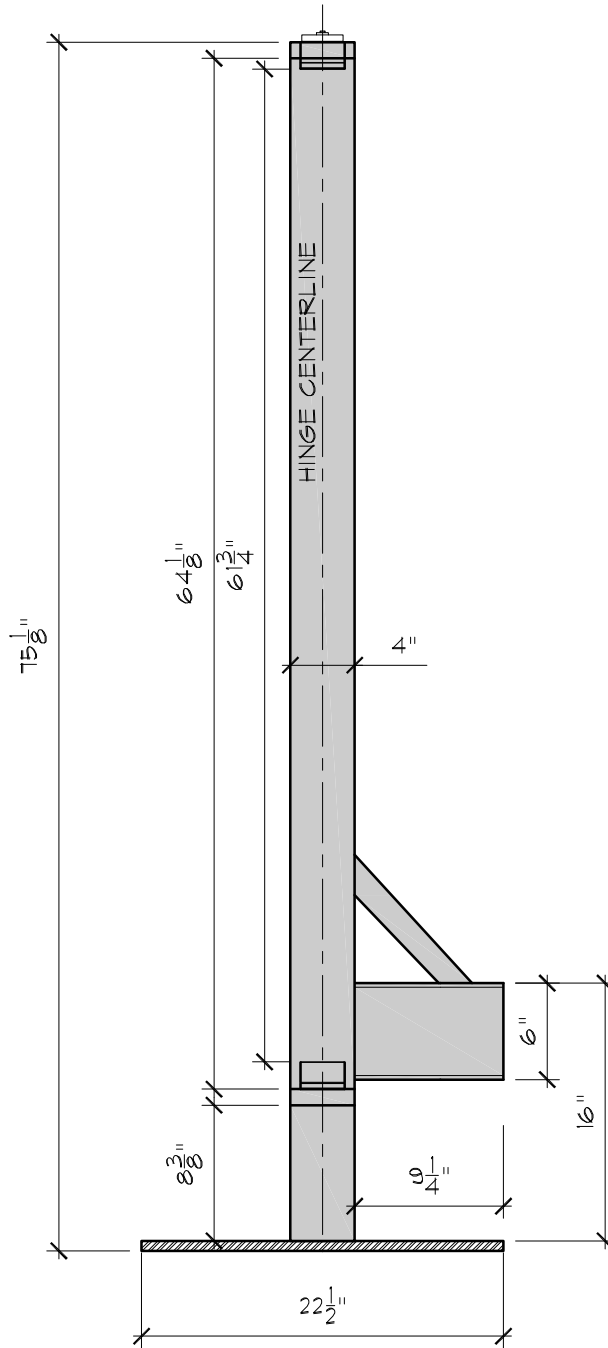
EUROPEAN WROUGHT IRON WORKS
WITHOUT THE WRITTEN PERMISSION OF EUROPEAN WROUGHT IRON WORKS LTD.

TITLE: Pre-cast Column

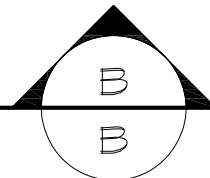
TOLERANCES INCHES UNLESS OTHERWISE NOTED X.XXX" ±0.005" X.XX" ±0.05" X.X" ±0.25" FRACTIONAL ±1/16" ANGULAR ±1°
SCALE: NTS.
DATE DRAWN: June 2009
DRAWN BY: DCM

DO NOT MODIFY OR SCALE DRAWING
DESIGN: P.D.
SHEET NO: 6

DRAWING & DESIGN REMAIN THE PROPERTY OF EUROPEAN WROUGHT IRON WORKS LTD.	
PROJECT TITLE: Custom Concrete Gate Pillars - 07 Model	
FINISH: Custom	REV: 1- A
DRAWING NUMBER: EW-07	



METALWORK



The following note shall apply to all drawings and associated documents:

- Copyright of this drawing and design is reserved by the Designer & European Wrought Iron Works Ltd. The drawing and all associated documents are an instrument of service by the Designer & European Wrought Iron Works Ltd. The drawing and the information contained therein may not be reproduced in whole or in part without prior written consent of the designer or European Wrought Iron Works Ltd.
- Drawings are not to be scaled for construction. All existing site conditions and dimensions required to perform the work are to be verified and any discrepancies are to be reported to the designer & European Wrought Iron Works Ltd.
- These drawings are not to be used for construction unless noted below as "Issued for Construction".
- All work to be carried out in conformance with the Code and Bylaws of the authorities having jurisdiction.
- The Designer of these plans and specifications gives no warranty or representation to any party about the constructability of the item represented by them.

CONFIDENTIAL: NOT TO BE DISCLOSED OR REPRODUCED



TITLE: Pre-cast Column

TOLERANCES IN INCHES UNLESS OTHERWISE NOTED
 X.XXX" ± 0.005 "
 X.XX" ± 0.05 "
 X.X" ± 0.25 "
 FRACTIONAL $\pm 1/16$ "
 ANGULAR $\pm 1^\circ$

SCALE: NTS.
 DATE DRAWN: June 2009
 DRAWN BY: DCM

DO NOT MODIFY OR SCALE DRAWING

DRAWING & DESIGN REMAIN THE PROPERTY OF EUROPEAN WROUGHT IRON WORKS LTD.

PROJECT TITLE: Custom Concrete Gate Pillars - 07 Model

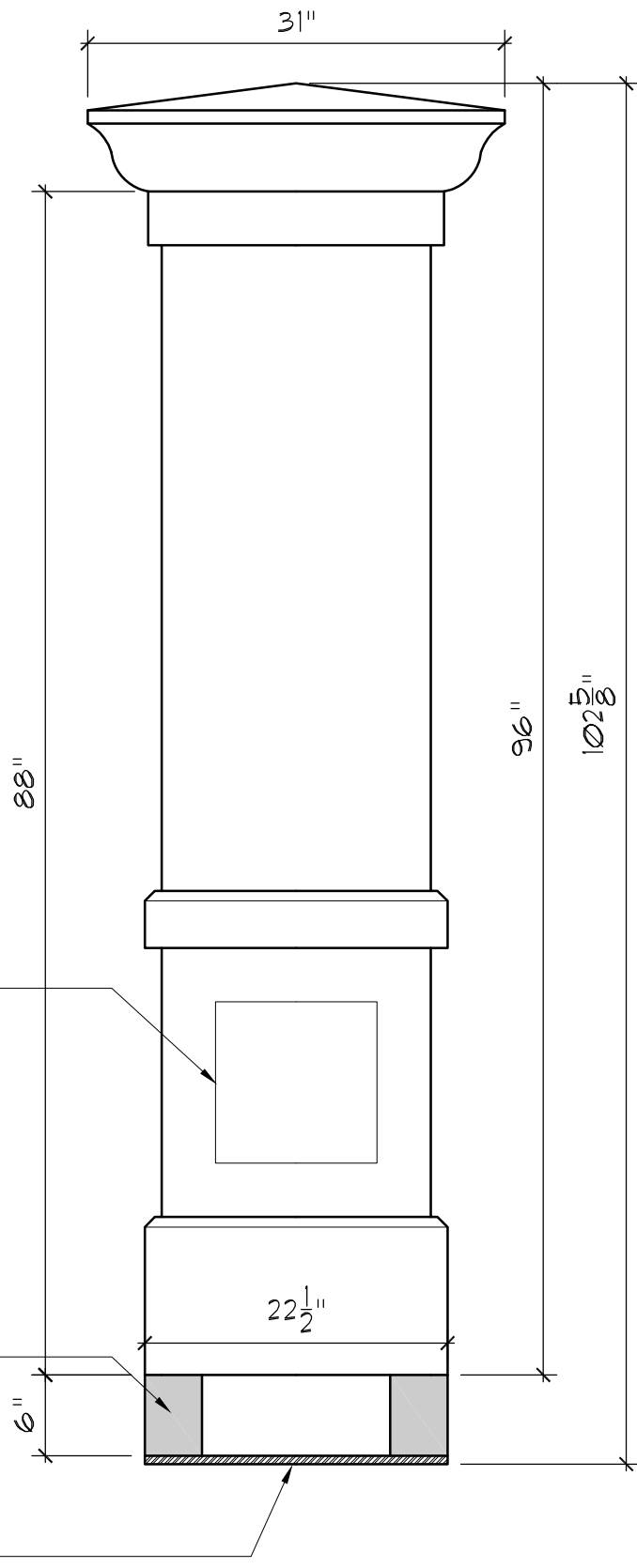
DESIGN: P.D.

FINISH: Custom

SHEET NO: 7

DRAWING NUMBER: EW-07

REV 1- A



RECESS PANEL ON ALL SIDES

NOTCHES

BASE PLATE

The following note shall apply to all drawings and associated documents:
 1. Copyright of this drawing and design is reserved by the Designer & European Wrought Iron Works Ltd. The drawing and all associated documents are an instrument of service by the Designer & European Wrought Iron Works Ltd. The drawing and the information contained therein may not be reproduced in whole or in part without prior written consent of the designer or European Wrought Iron Works Ltd.
 2. Drawings are not to be scaled for construction. All existing site conditions and dimensions required to perform the work are to be verified and any discrepancies are to be reported to the designer & European Wrought Iron Works Ltd.
 3. These drawings are not to be used for construction unless noted below as "Issued for Construction".
 4. All work to be carried out in conformance with the Code and Bylaws of the authorities having jurisdiction.
 5. The Designer of these plans and specifications gives no warranty or representation to any party about the constructability of the item represented by them.

CONFIDENTIAL: NOT TO BE DISCLOSED OR REPRODUCED

EUROPEAN
WROUGHT IRON WORKS
WITHOUT THE WRITTEN PERMISSION OF EUROPEAN WROUGHT IRON WORKS LTD.

TITLE: **Pre-cast Column**

TOLERANCES IN INCHES UNLESS OTHERWISE NOTED	
X.XXX" ±0.005"	
X.XX" ±0.05"	
X.X" ±0.25"	
FRACTIONAL ±1/16"	
ANGULAR ±1°	
SCALE: NTS.	
DATE DRAWN: June 2009	
DRAWN BY: DCM	

DO NOT MODIFY OR SCALE DRAWING	
PROJECT TITLE:	Custom Concrete Gate Pillars - 07 Model
DESIGN: P.D.	
SHEET NO: 8	

DRAWING & DESIGN REMAIN THE PROPERTY OF EUROPEAN WROUGHT IRON WORKS LTD.			
FINISH: Custom			
DRAWING NUMBER: EW-07	REV: 1-	A	